



APC Fittings

Rigid & IMC One Hole Straps

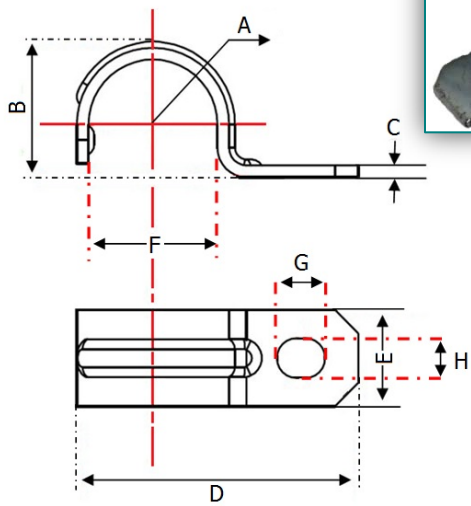


Applications:


One hole Rigid & IMC Straps used to attach the pipe to a wall or structure.

Available Sizes: 1/2", 3/4", 1", 1 1/4", 1 1/2", 2", 3" & 4".

Material: Steel
 Finished: Zinc Plated



APC Rigid & IMC Straps can be installed where UL listed product is required.

ARTMARK Rigid STRAPS Cat. No.	Size	Std. 	Wght. per Carton (Lbs.)	A ±.51mm ±.02"		B ±.51mm ±.02"		C ±.13mm ±.005"		D ±.51mm ±.02"		E ±.20mm ±.008"		F ±.51mm ±.02"		G ±0.2mm ±.008"		H ±0.2mm ±0.008"	
				mm	"	mm	"	mm	"	mm	"	mm	"	mm	"	mm	"	mm	"
ARTRIG1H050UL	1/2"	500	16	21.3	0.84	20.6	0.811	1.8	0.071	47.3	1.862	16.2	0.638	21.3	0.84	8.5	0.335	6.9	0.272
ARTRIG1H075UL	3/4"	500	27	26.7	1.05	25	0.984	1.8	0.071	57	2.244	19.3	0.76	26.7	1.05	8.5	0.335	6.9	0.272
ARTRIG1H100UL	1"	250	20	33.4	1.315	30.8	1.213	1.8	0.071	66.2	2.606	22.4	0.882	33.4	1.315	9.5	0.374	9.5	0.374
ARTRIG1H125UL	1 1/4"	200	21	42.2	1.66	39.8	1.567	2.5	0.098	76.6	3.016	22	0.866	42.2	1.66	9.5	0.374	9.5	0.374
ARTRIG1H150UL	1 1/2"	200	28	48.3	1.9	48.3	1.902	2.5	0.098	92.8	3.654	25.6	1.008	48.3	1.9	9.5	0.374	9.5	0.374
ARTRIG1H200UL	2"	100	22	60.3	2.375	55	2.165	2.9	0.114	105.7	4.161	29.8	1.173	60.3	2.375	14	0.551	14	0.551
ARTRIG1H250UL	2 1/2"	50	20	73	2.875	66	2.598	3.8	0.148	126	4.961	30.2	1.189	73	2.875	14	0.551	14	0.551
ARTRIG1H300UL	3"	25	12	88.9	3.5	76.8	3.024	3.4	0.134	136	5.354	29.8	1.173	88.9	3.5	14	0.551	14	0.551
ARTRIG1H400UL	4"	25	17	114.3	4.5	101.5	3.996	4.5	0.177	182.8	7.197	29.5	1.161	114.3	4.5	14.3	0.563	14.3	0.563

R I G I D
S t r a p s
O n e
H o l e

11315 NW 36 TER Miami, FL 33178 Tel: (305) 715-9800 Fax: (305) 715-9988

<http://www.artmark.com>