



APC Fittings

EMT Compression Couplings

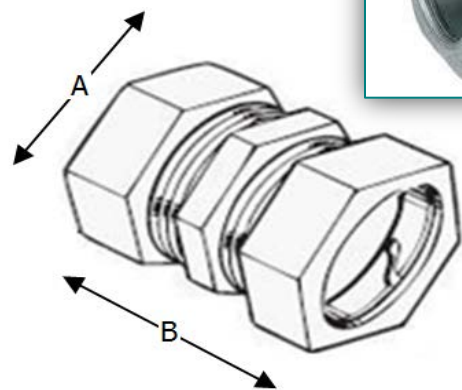
Zinc Die Cast



Applications:


EMT compression couplings are used to join two EMT pipes or an EMT pipe to an EMT elbow.

Available sizes: 1/2", 3/4", 1", 1 1/4", 1 1/2", 2".



UL
LISTED
E328241

APC EMT compression couplings can be installed where UL listed product is required.

ARTMARK Cat. No.	Size	Standard Carton 	Weight/ Carton (Lbs)	A (mm)	B (mm)	A (")	B (")
ARTEMTCMPCPL050ZDC	1/2"	500	33	24.5	38.9	0.965	1.531
ARTEMTCMPCPL075ZDC	3/4"	250	26	32.1	40.1	1.264	1.579
ARTEMTCMPCPL100ZDC	1"	200	28	38.5	47.5	1.516	1.87
ARTEMTCMPCPL125ZDC	1-1/4"	25	8	48.4	57.1	1.906	2.248
ARTEMTCMPCPL150ZDC	1-1/2"	25	10	57.8	80.8	2.276	3.181
ARTEMTCMPCPL200ZDC	2"	20	10	66.3	61.9	2.61	2.437

EMT Compression

Couplings



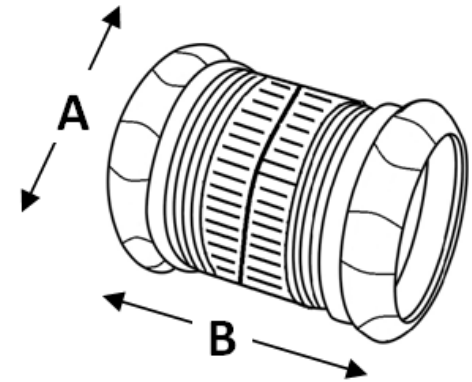
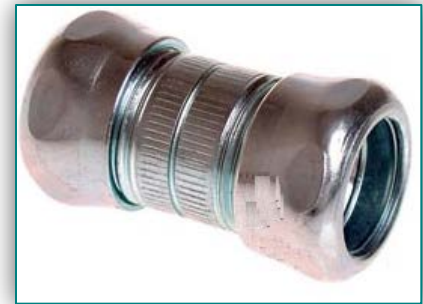
APC Fittings

EMT Compression Couplings Steel

Applications:

EMT compression couplings are used to join two EMT pipes or an EMT pipe to an EMT elbow.

Available in sizes: 1/2", 3/4", 1", 1 1/4", 1 1/2", 2".



APC EMT compression connectors can be installed where UL listed product is required.

ARTMARK Cat. No.	Size	Standard Carton 	Weight/ Carton (Lbs)	A (mm)	B (mm)	A (")	B (")
ARTEMTMPCPL050STL	1/2"	250	39.6	26.289	51.003	1.035	2.008
ARTEMTMPCPL075STL	3/4"	200	43.12	32.893	51.003	1.295	2.008
ARTEMTMPCPL100STL	1"	100	22.44	39.192	53.975	1.543	2.125
ARTEMTMPCPL125STL	1-1/4"	25	11.66	47.396	76.809	1.886	3.024
ARTEMTMPCPL150STL	1-1/2"	25	14.52	54.000	82.499	2.126	3.248
ARTEMTMPCPL200STL	2"	10	7.48	66.599	79.298	2.622	3.122

11315 NW 36 TER Miami, FL 33178 Tel: (305) 715-9800 Fax: (305) 715-9988

<http://www.artmark.com>

EMT Compression Couplings