



APC Fittings

4" Octagonal Metallic Boxes



LISTED
E333220

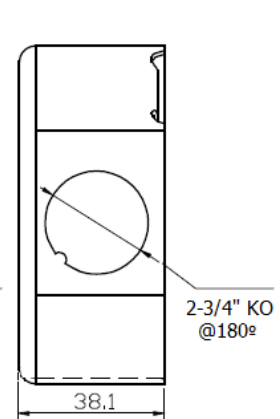
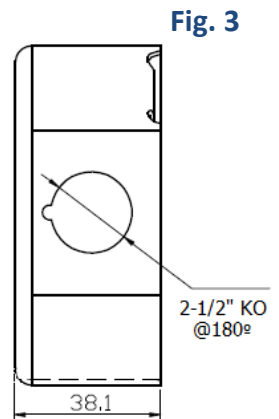
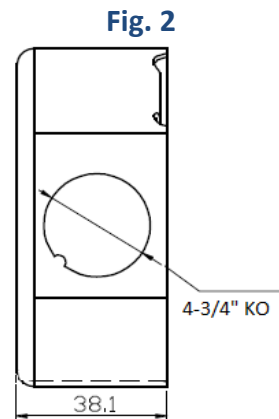
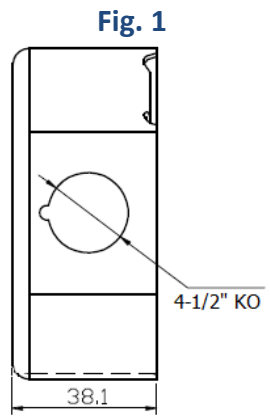
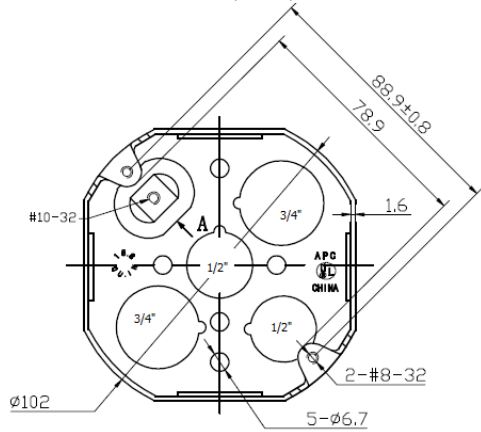


Applications:


Octagonal metal boxes are mainly used to install lighting fixtures and electrical devices on an electric circuit.

Available with 1/2", 3/4", and combination 1/2" & 3/4" KO.

Material: Steel
Finished: Zinc Plated



APC Boxes can be installed where UL listed product is required.

ARTMARK Cat. No.	KO	Standard Carton 	Weight/ Carton (Lbs)	KO In the Sides	KO UP	KO Down	KO Depth	Fig.
ART54OB451-50	1/2"	50	26	1 x 1/2"	1 x 1/2"	1 x 1/2"	2x1/2" & 2x3/4"	1
ART54OB451-75	3/4"	50	26	1 x 3/4"	1 x 3/4"	1 x 3/4"	2x1/2" & 2x3/4"	2
ART54OB451-50-75	1/2" & 3/4"	50	26	1 x 1/2" on each side 1 x 3/4" top & bottom			2x1/2" & 2x3/4"	3

11315 NW 36 TER Miami, FL 33178 Tel: (305) 715-9800 Fax: (305) 715-9988

<http://www.artmark.com>

Octagonal Boxes